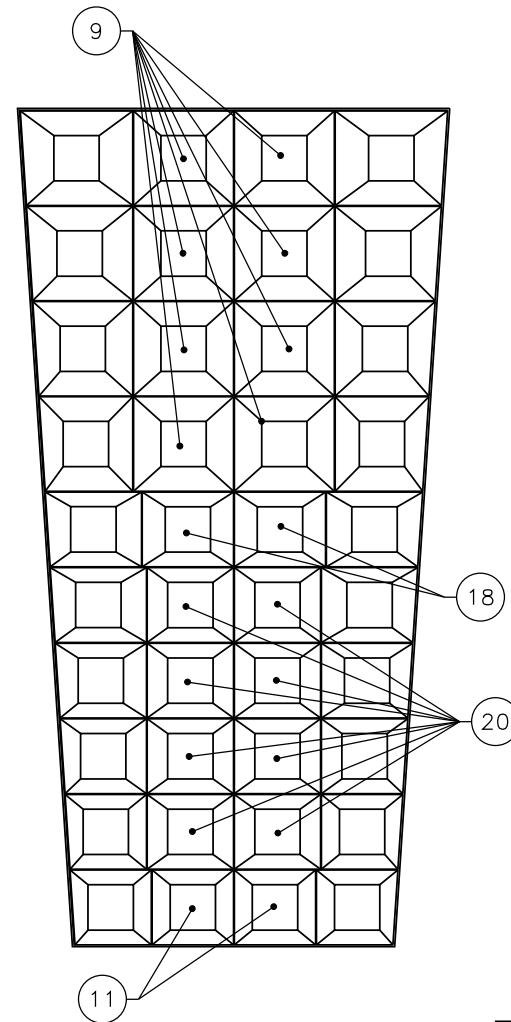
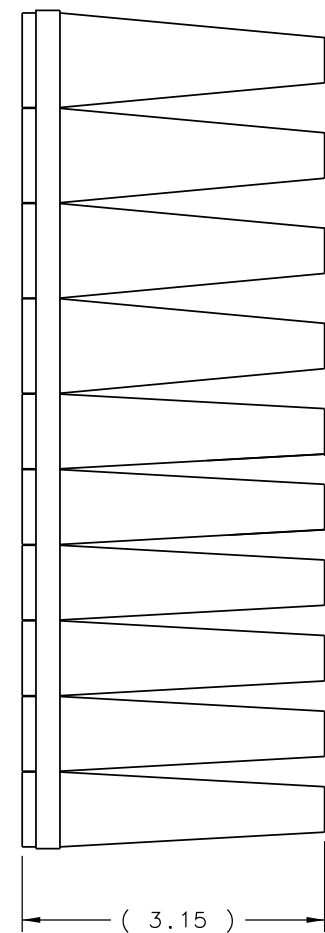
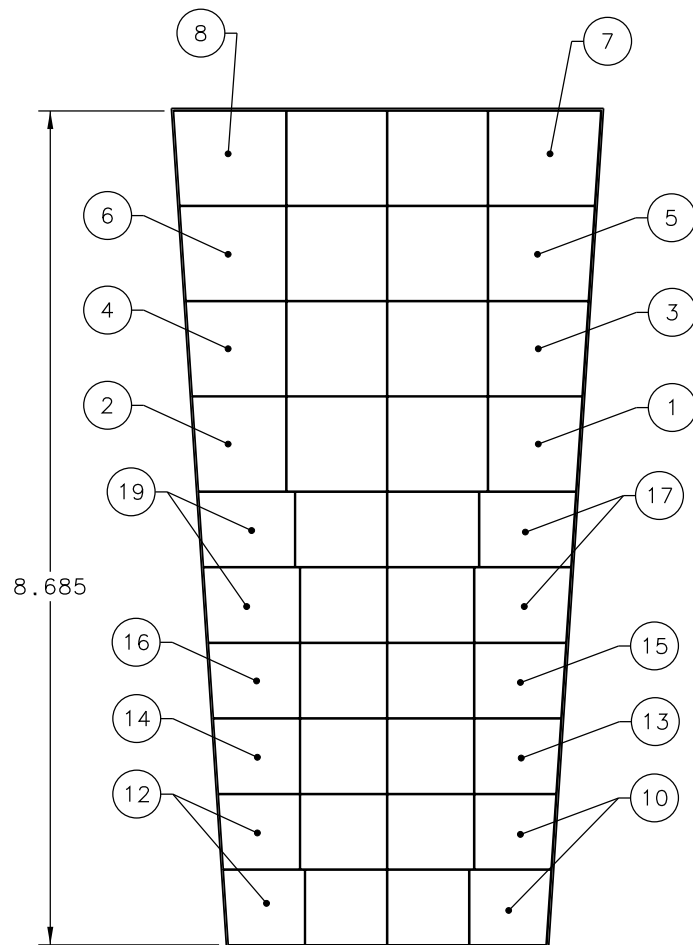
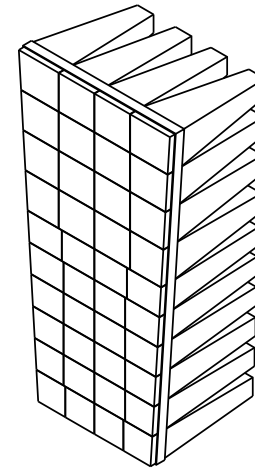
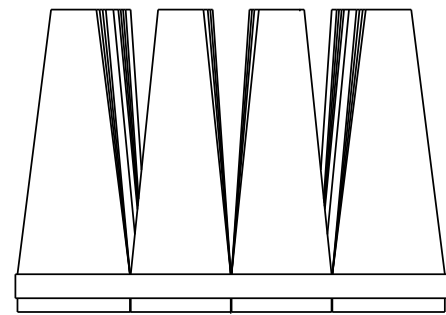


REVISION HISTORY				
ZONE	REV	DESCRIPTION	DATE	APPROVED



QTY REQD	ITEM NO.	PART OR IDENTIFYING NO.	NOMENCLATURE OR DESCRIPTION	MATERIAL SPECIFICATION	NOTES
8	20	D00000-01-07-2031	SMALL LIGHTGUIDE B11		
2	19	D00000-01-07-2030	SMALL LIGHTGUIDE B10		
2	18	D00000-01-07-2029	SMALL LIGHTGUIDE B9		
2	17	D00000-01-07-2028	SMALL LIGHTGUIDE B8		
1	16	D00000-01-07-2027	SMALL LIGHTGUIDE B7		
1	15	D00000-01-07-2026	SMALL LIGHTGUIDE B6		
1	14	D00000-01-07-2025	SMALL LIGHTGUIDE B5		
1	13	D00000-01-07-2024	SMALL LIGHTGUIDE B4		
2	12	D00000-01-07-2023	SMALL LIGHTGUIDE B3		
2	11	D00000-01-07-2022	SMALL LIGHTGUIDE B2		
2	10	D00000-01-07-2021	SMALL LIGHTGUIDE B1		
8	9	D00000-01-07-2020	LARGE LIGHTGUIDE A9		
1	8	D00000-01-07-2019	LARGE LIGHTGUIDE A8		
1	7	D00000-01-07-2018	LARGE LIGHTGUIDE A7		
1	6	D00000-01-07-2017	LARGE LIGHTGUIDE A6		
1	5	D00000-01-07-2016	LARGE LIGHTGUIDE A5		
1	4	D00000-01-07-2015	LARGE LIGHTGUIDE A4		
1	3	D00000-01-07-2014	LARGE LIGHTGUIDE A3		
1	2	D00000-01-07-2013	LARGE LIGHTGUIDE A2		
1	1	D00000-01-07-2012	LARGE LIGHTGUIDE A1		

DOCUMENT CONTROL STAMP

MATERIAL: SEE PARTS LIST

FINISH: MACHINED SURFACES DEBURR & BREAK ALL SHARP EDGES

DO NOT SCALE DRAWING

DIM & TOL PER ASME Y14.5 UNLESS OTHERWISE SPECIFIED DIMENSIONS ARE IN INCHES

TOLERANCES ARE:

FRACTIONS	DECIMAL	ANGLES
± N/A	.X ± .1	± .50°
	.XX ± .01	
	.XXX ± .005	

THIRD ANGLE PROJECTION

TRACKING NO. N/A

APPROVALS: [Signature]

DATE: 01NOV10

DRAWN: C L HUTTON

CHECKED: [Signature]

APPROVED: [Signature]

United States Department of Energy

Jefferson Lab
Thomas Jefferson National Accelerator Facility

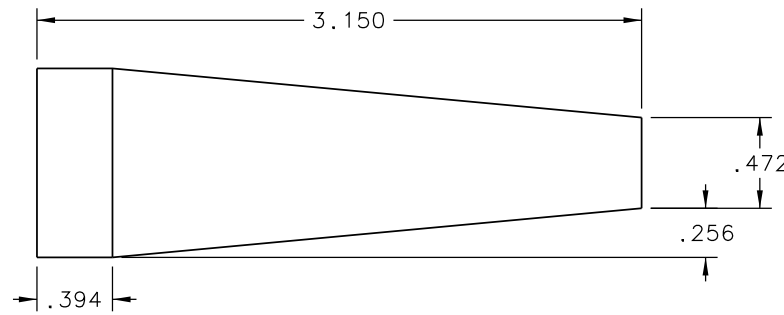
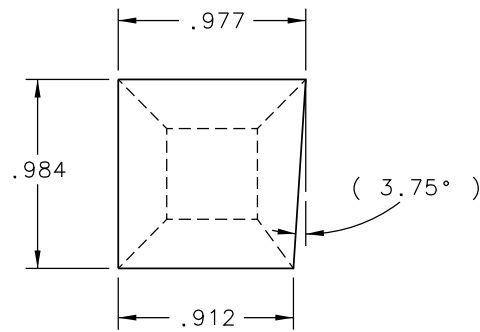
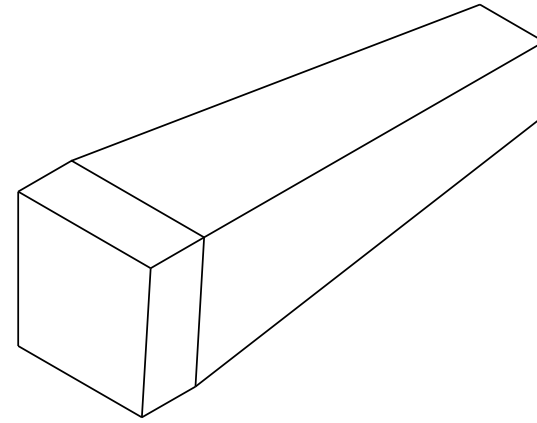
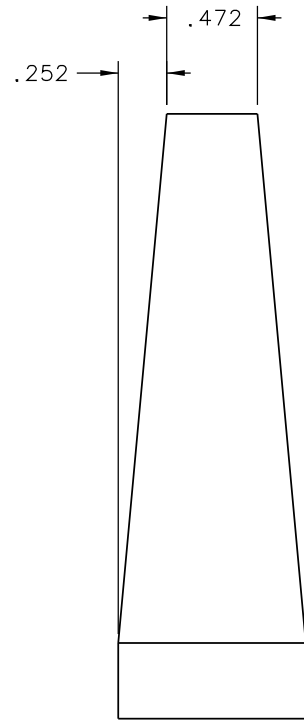
Newport News Virginia

HALL D -GLUEX
DETECTOR
BARREL CALORIMETER
LIGHTGUIDE ASSY MODULE

SIZE DWG. NO. **D** D00000-01-07-1015

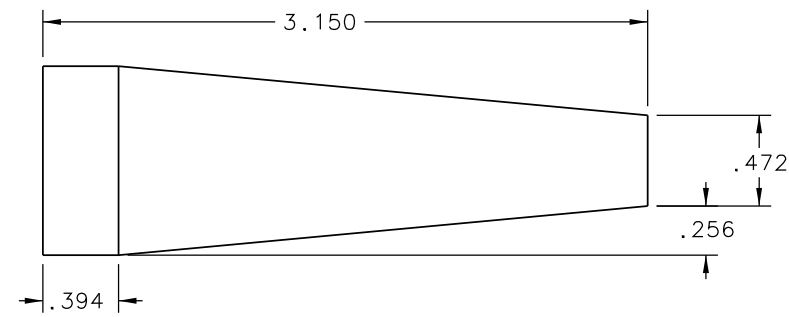
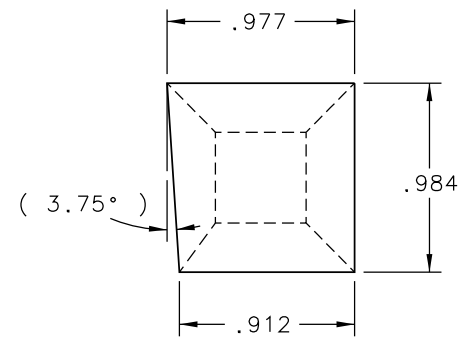
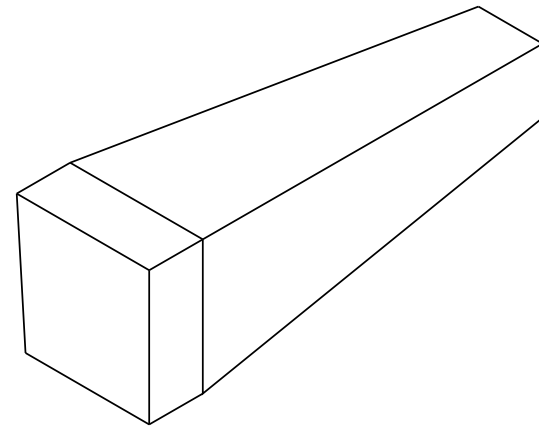
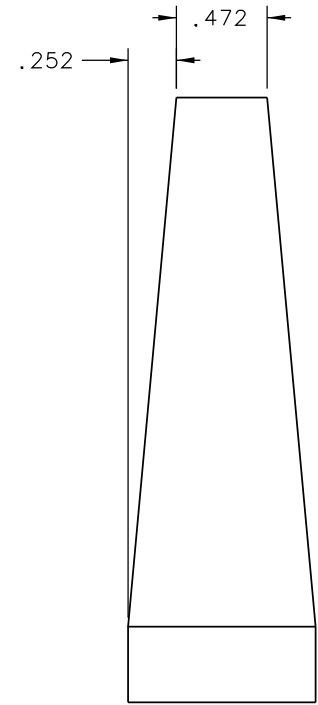
SCALE 1 : 1 USED ON ASSY NO. D00000-01-07-1010 SHEET 1 OF 1


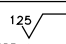
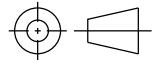
REVISION HISTORY				
ZONE	REV	DESCRIPTION	DATE	APPROVED



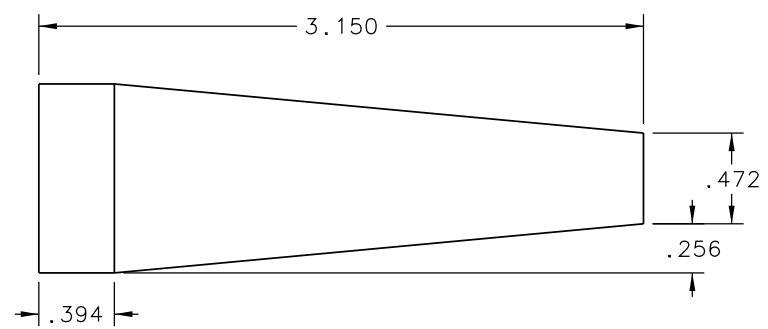
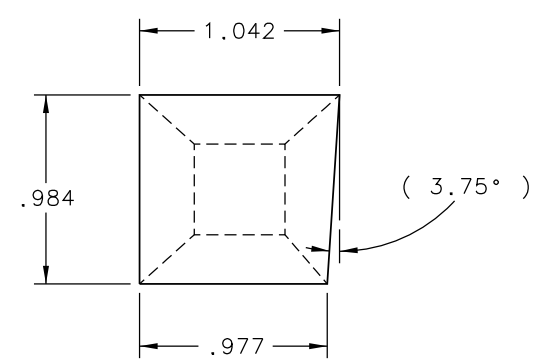
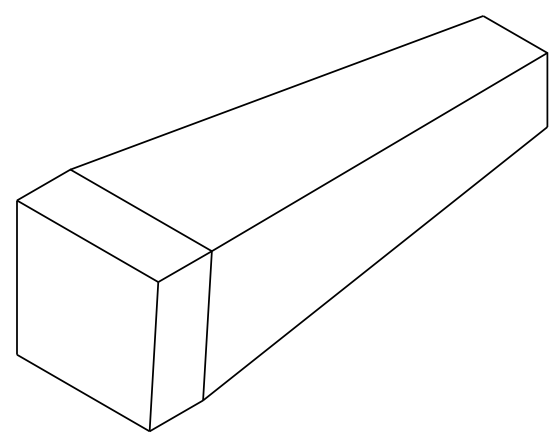
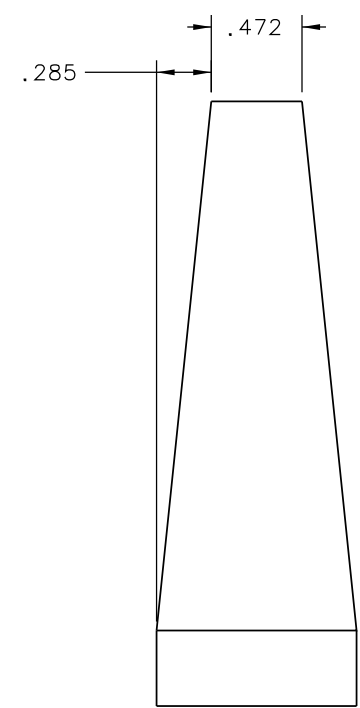
DOCUMENT CONTROL STAMP	DIM & TOL PER ASME Y14.5 UNLESS OTHERWISE SPECIFIED DIMENSIONS ARE IN INCHES TOLERANCES ARE: FRACTIONS DECIMAL ANGLES ± N/A .X ± .1 ± .50° .XX ± .01 .XXX ± .005	TRACKING NO. N/A	United States Department of Energy	Jefferson Lab Thomas Jefferson National Accelerator Facility	Newport News Virginia
MATERIAL	THIRD ANGLE PROJECTION	APPROVALS	DATE	HALL D - GLUEX DETECTOR BARREL CALORIMETER LARGE LIGHTGUIDE A1	
FINISH MACHINED SURFACES DEBURR & BREAK ALL SHARP EDGES	125 UNLESS OTHERWISE NOTED	DRAWN C L HUTTON	04NOV10	SIZE D	DWG. NO. D00000-01-07-2012
DO NOT SCALE DRAWING		APPROVED	APPROVED	SCALE 2/1	USED ON ASSY NO. D00000-01-07-1015 SHEET 1 OF 1

REVISION HISTORY				
ZONE	REV	DESCRIPTION	DATE	APPROVED



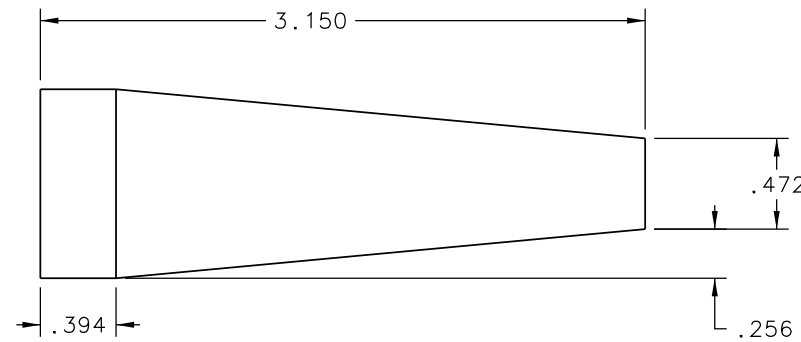
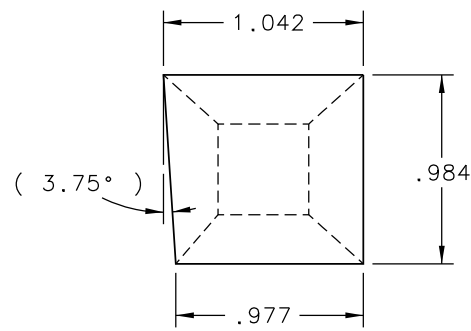
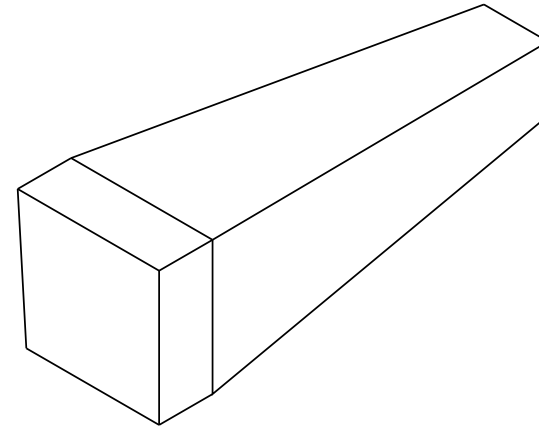
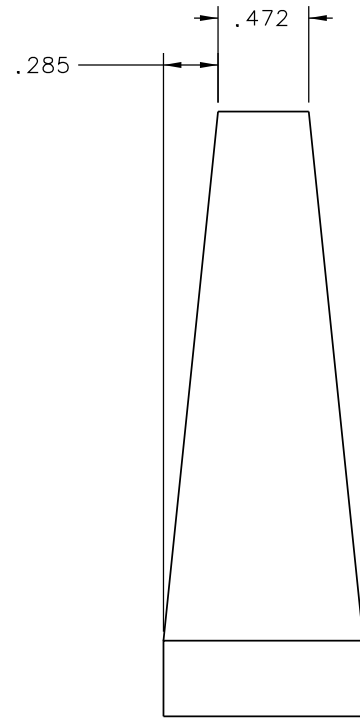
DOCUMENT CONTROL STAMP	DIM & TOL PER ASME Y14.5 UNLESS OTHERWISE SPECIFIED DIMENSIONS ARE IN INCHES TOLERANCES ARE: FRACTIONS DECIMAL ANGLES ± N/A .X ± .1 ± .50° .XX ± .01 .XXX ± .005	TRACKING NO. N/A		United States Department of Energy	 Jefferson Lab Thomas Jefferson National Accelerator Facility Newport News Virginia		
		APPROVALS	DATE			HALL D - GLUEX DETECTOR BARREL CALORIMETER LARGE LIGHTGUIDE A2	
MATERIAL	THIRD ANGLE PROJECTION	DRAWN C L HUTTON	04NOV10	SIZE D	DWG. NO. D00000-01-07-2013		REV. -
FINISH MACHINED SURFACES DEBURR & BREAK ALL SHARP EDGES	125  UNLESS OTHERWISE NOTED		APPROVED	APPROVED	SCALE 2/1	USED ON ASSY NO. D00000-01-07-1015	SHEET 1 OF 1
DO NOT SCALE DRAWING							




REVISION HISTORY				
ZONE	REV	DESCRIPTION	DATE	APPROVED



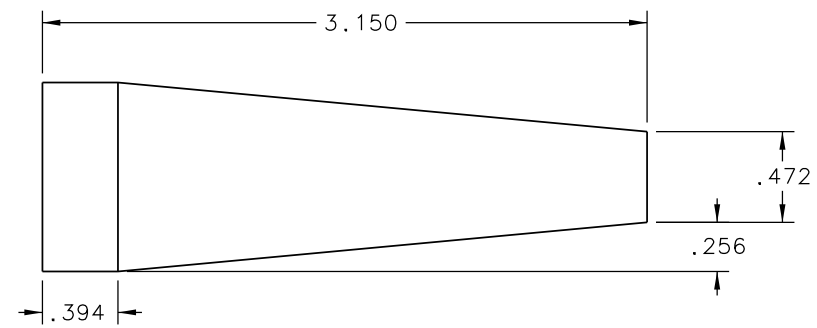
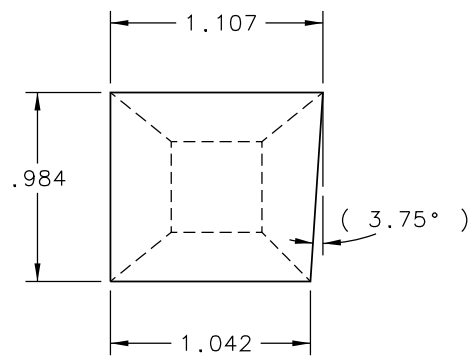
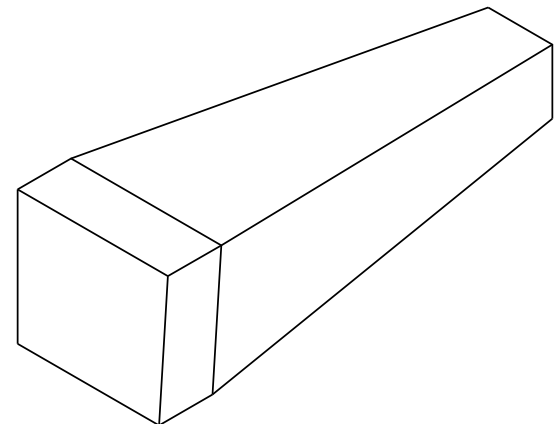
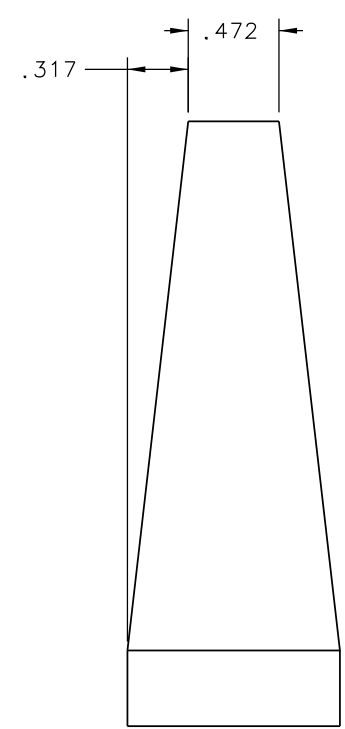
DOCUMENT CONTROL STAMP	DIM & TOL PER ASME Y14.5 UNLESS OTHERWISE SPECIFIED DIMENSIONS ARE IN INCHES TOLERANCES ARE: FRACTIONS DECIMAL ANGLES ± N/A .X ± .1 ± .50° .XX ± .01 .XXX ± .005	TRACKING NO. N/A		United States Department of Energy	 Jefferson National Accelerator Facility Newport News Virginia
		APPROVALS	DATE		
MATERIAL	THIRD ANGLE PROJECTION	DRAWN C L HUTTON	04NOV10	SIZE D	DWG. NO. D00000-01-07-2014
FINISH MACHINED SURFACES DEBURR & BREAK ALL SHARP EDGES	125 UNLESS OTHERWISE NOTED		APPROVED	APPROVED	REV. -
DO NOT SCALE DRAWING			APPROVED	SCALE 2/1	USED ON ASSY NO. D00000-01-07-2014 SHEET 1 OF 1

REVISION HISTORY				
ZONE	REV	DESCRIPTION	DATE	APPROVED



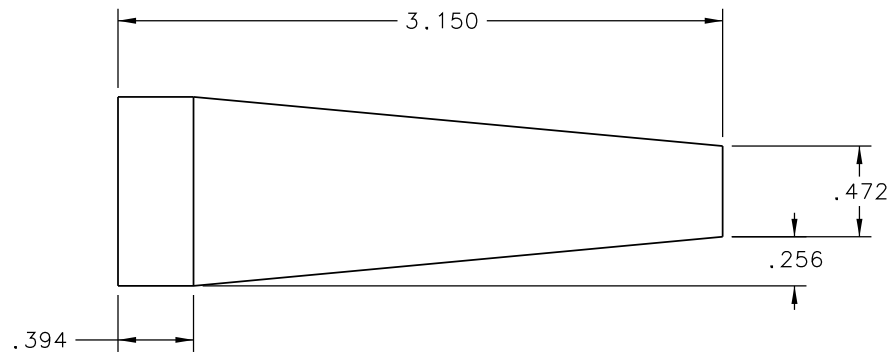
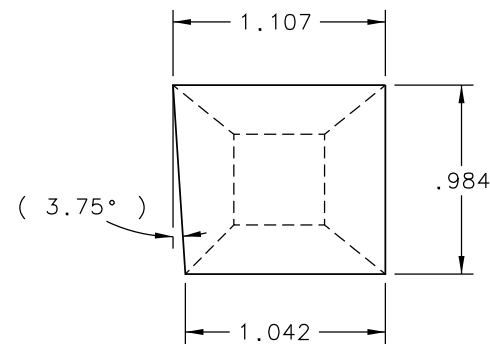
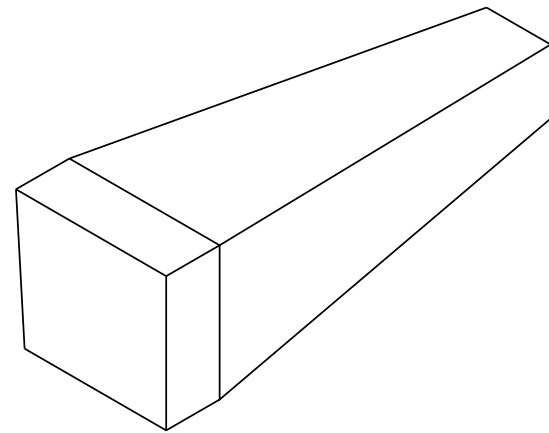
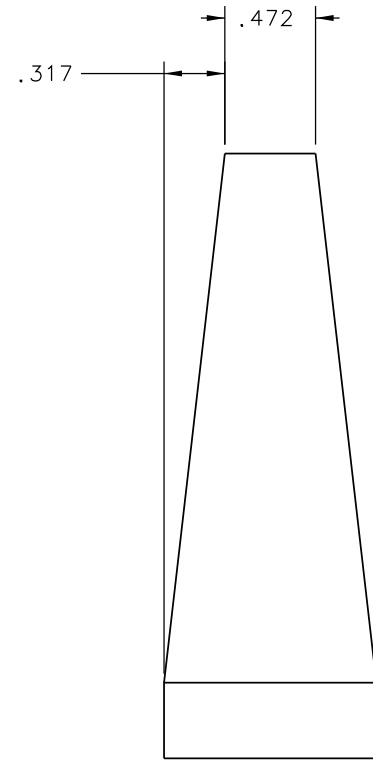
DOCUMENT CONTROL STAMP	DIM & TOL PER ASME Y14.5 UNLESS OTHERWISE SPECIFIED DIMENSIONS ARE IN INCHES TOLERANCES ARE: FRACTIONS DECIMAL ANGLES ± N/A .X ± .1 ± .50° .XX ± .01 .XXX ± .005	TRACKING NO. N/A		United States Department of Energy	 Jefferson Lab Thomas Jefferson National Accelerator Facility Newport News Virginia		
		APPROVALS	DATE			HALL D - GLUEX DETECTOR BARREL CALORIMETER LARGE LIGHTGUIDE A4	
MATERIAL	THIRD ANGLE PROJECTION	DRAWN C L HUTTON	04NOV10	SIZE D	DWG. NO. D00000-01-07-2015		REV. -
FINISH MACHINED SURFACES DEBURR & BREAK ALL SHARP EDGES	125  UNLESS OTHERWISE NOTED		APPROVED	APPROVED	SCALE 2/1	USED ON ASSY NO. D00000-01-07-1015	SHEET 1 OF 1
DO NOT SCALE DRAWING							

REVISION HISTORY				
ZONE	REV	DESCRIPTION	DATE	APPROVED



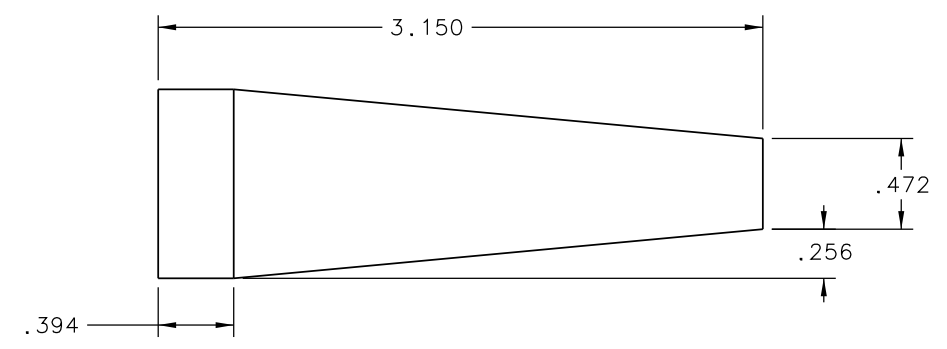
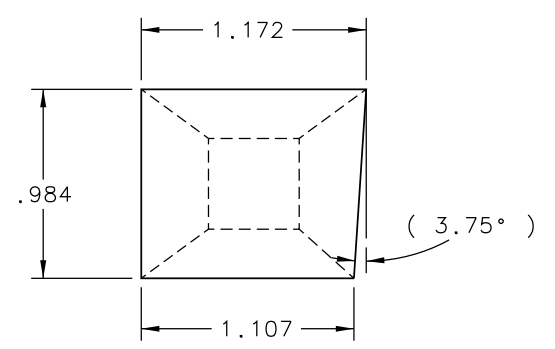
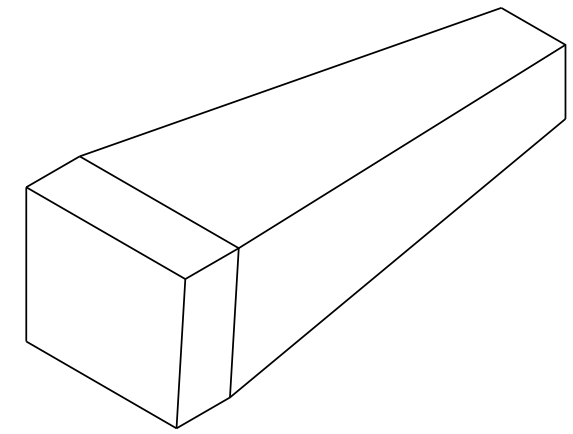
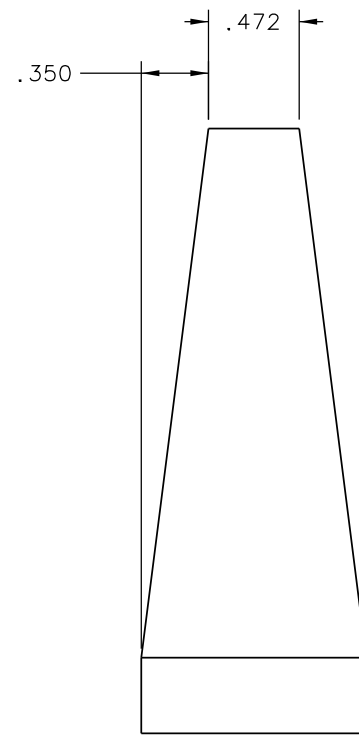
DOCUMENT CONTROL STAMP	DIM & TOL PER ASME Y14.5 UNLESS OTHERWISE SPECIFIED DIMENSIONS ARE IN INCHES TOLERANCES ARE: FRACTIONS DECIMAL ANGLES ± N/A .X ± .1 ± .50° .XX ± .01 .XXX ± .005	TRACKING NO. N/A		United States Department of Energy	 Jefferson National Accelerator Facility Newport News Virginia	
		APPROVALS	DATE			HALL D - GLUEX DETECTOR BARREL CALORIMETER LARGE LIGHTGUIDE A5
MATERIAL	THIRD ANGLE PROJECTION	DRAWN C L HUTTON	04NOV10	SIZE D	DWG. NO. D00000-01-07-2016	
FINISH MACHINED SURFACES DEBURR & BREAK ALL SHARP EDGES	125 UNLESS OTHERWISE NOTED		APPROVED	SCALE 2/1	USED ON ASSY NO. D00000-01-07-1015	SHEET 1 OF 1
DO NOT SCALE DRAWING			APPROVED			


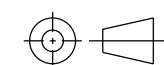
REVISION HISTORY				
ZONE	REV	DESCRIPTION	DATE	APPROVED



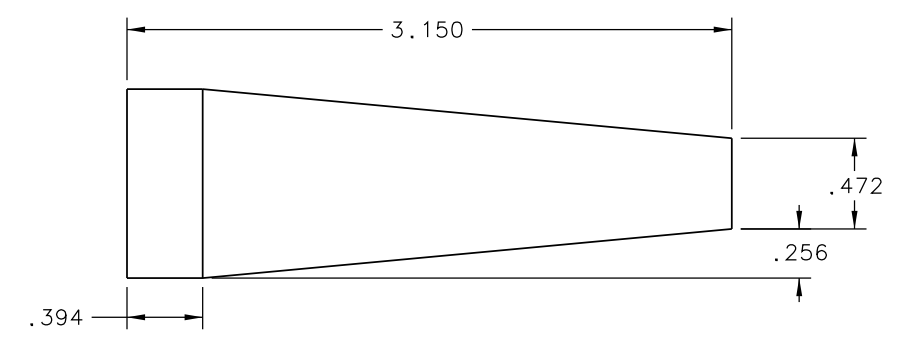
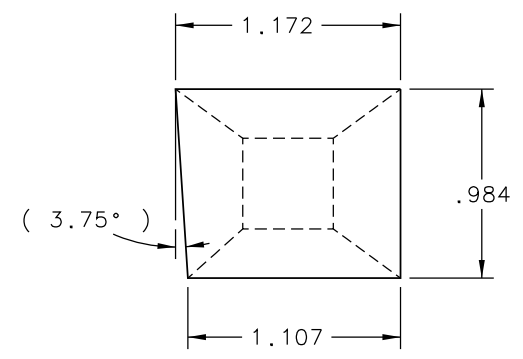
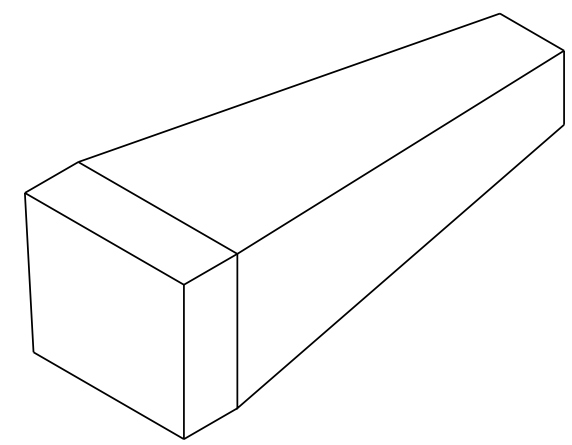
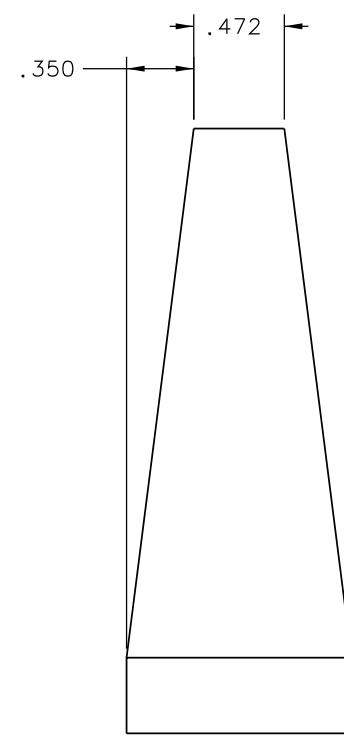
DOCUMENT CONTROL STAMP	DIM & TOL PER ASME Y14.5 UNLESS OTHERWISE SPECIFIED DIMENSIONS ARE IN INCHES TOLERANCES ARE: FRACTIONS DECIMAL ANGLES ± N/A .X ± .1 ± .50° .XX ± .01 .XXX ± .005	TRACKING NO. N/A		United States Department of Energy	 Jefferson National Accelerator Facility Newport News Virginia
		APPROVALS	DATE		
MATERIAL	THIRD ANGLE PROJECTION	DRAWN C L HUTTON	04NOV10	SIZE D	DWG. NO. D00000-01-07-2017
FINISH MACHINED SURFACES DEBURR & BREAK ALL SHARP EDGES	125 UNLESS OTHERWISE NOTED		CHECKED	SCALE 2/1	USED ON ASSY NO. D00000-01-07-1015
DO NOT SCALE DRAWING			APPROVED	SHEET	1 OF 1

REVISION HISTORY				
ZONE	REV	DESCRIPTION	DATE	APPROVED



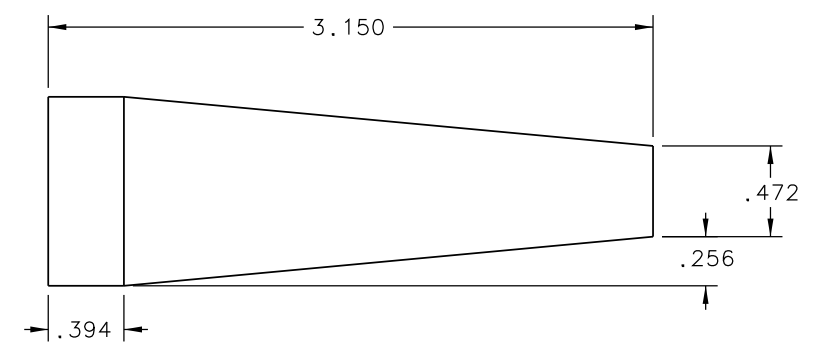
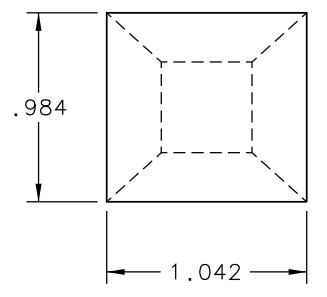
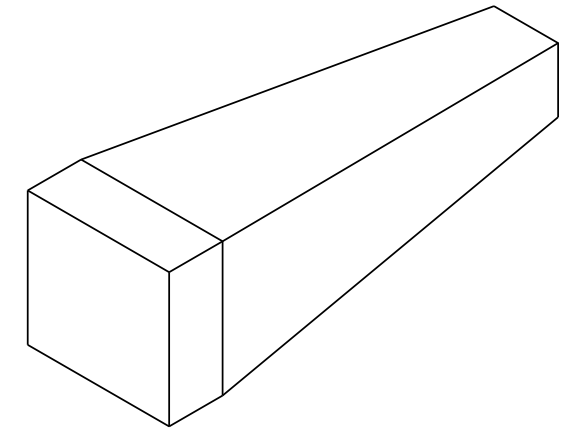
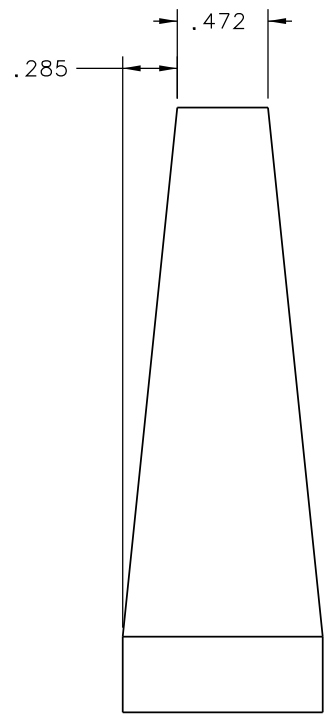
DOCUMENT CONTROL STAMP	DIM & TOL PER ASME Y14.5 UNLESS OTHERWISE SPECIFIED DIMENSIONS ARE IN INCHES TOLERANCES ARE: FRACTIONS DECIMAL ANGLES ± N/A .X ± .1 ± .50° .XX ± .01 .XXX ± .005	TRACKING NO. N/A		United States Department of Energy  Jefferson National Accelerator Facility Newport News Virginia
		APPROVALS	DATE	
MATERIAL	THIRD ANGLE PROJECTION	DRAWN C L HUTTON	04NOV10	SIZE DWG. NO. D D00000-01-07-2018 REV. -
FINISH MACHINED SURFACES DEBURR & BREAK ALL SHARP EDGES		CHECKED		
DO NOT SCALE DRAWING		APPROVED		

REVISION HISTORY				
ZONE	REV	DESCRIPTION	DATE	APPROVED



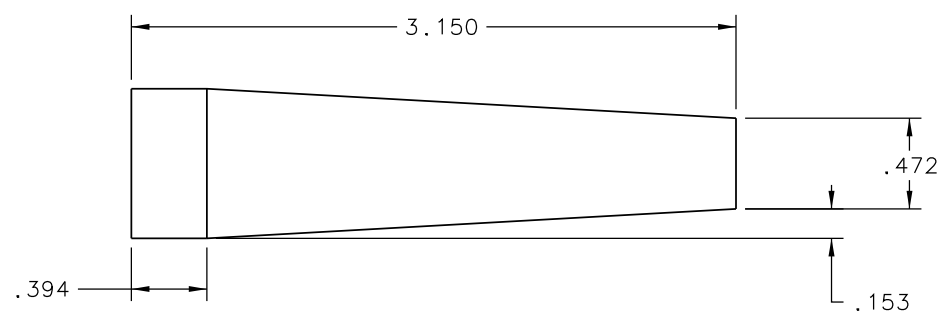
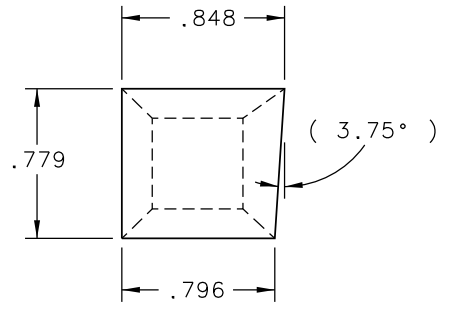
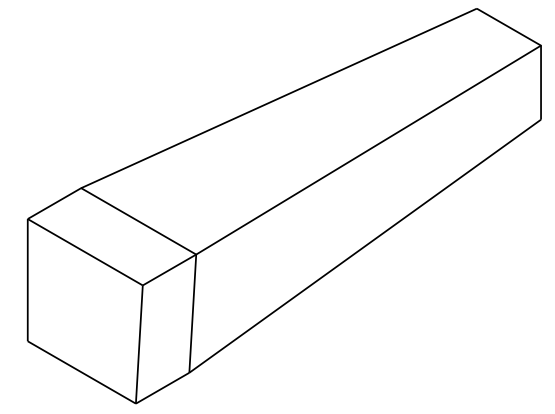
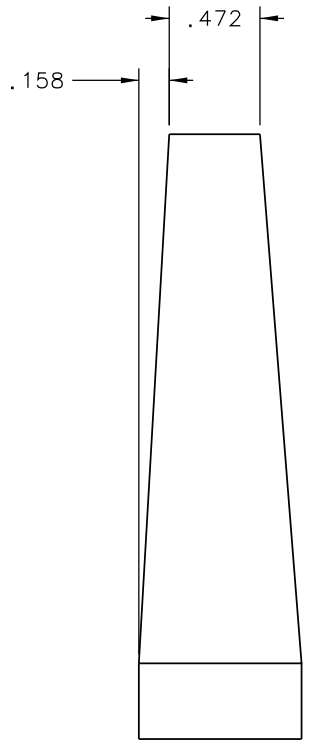
DOCUMENT CONTROL STAMP	DIM & TOL PER ASME Y14.5 UNLESS OTHERWISE SPECIFIED DIMENSIONS ARE IN INCHES TOLERANCES ARE: FRACTIONS DECIMAL ANGLES ± N/A .X ± .1 ± .50° .XX ± .01 .XXX ± .005	TRACKING NO. N/A		United States Department of Energy	 Jefferson National Accelerator Facility Newport News Virginia
		APPROVALS	DATE		
MATERIAL	THIRD ANGLE PROJECTION	DRAWN C L HUTTON	05NOV10	SIZE D	DWG. NO. D00000-01-07-2019
FINISH MACHINED SURFACES DEBURR & BREAK ALL SHARP EDGES	125 ✓ UNLESS OTHERWISE NOTED			APPROVED	REV. -
DO NOT SCALE DRAWING		APPROVED		SCALE 2/1	USED ON ASSY NO. D00000-01-07-1015 SHEET 1 OF 1


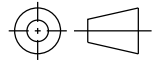
REVISION HISTORY				
ZONE	REV	DESCRIPTION	DATE	APPROVED



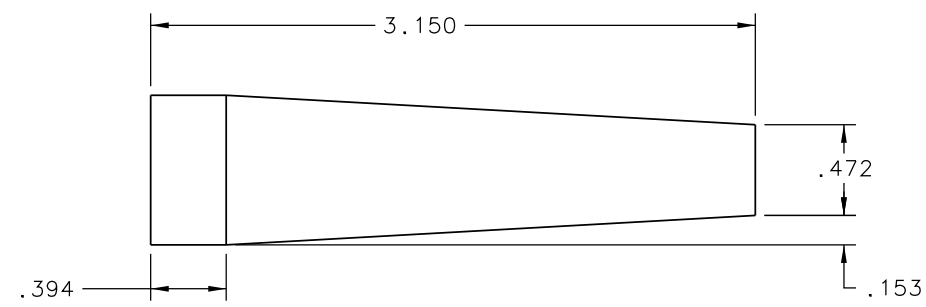
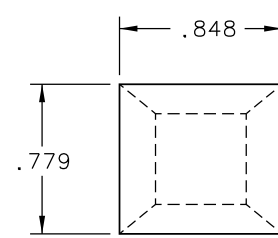
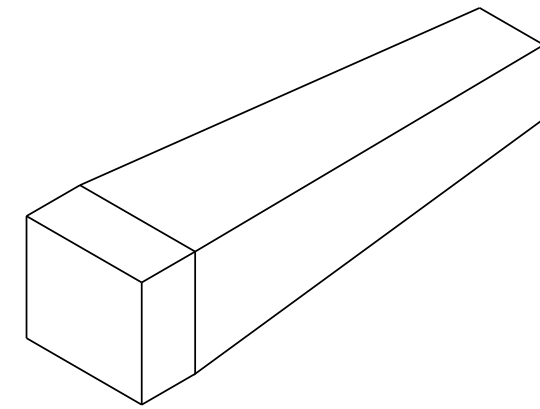
DOCUMENT CONTROL STAMP	DIM & TOL PER ASME Y14.5 UNLESS OTHERWISE SPECIFIED DIMENSIONS ARE IN INCHES TOLERANCES ARE: FRACTIONS DECIMAL ANGLES ± N/A .X ± .1 ± .50° .XX ± .01 .XXX ± .005	TRACKING NO. N/A		United States Department of Energy	 Jefferson National Accelerator Facility Newport News Virginia	
		APPROVALS	DATE			HALL D - GLUEX DETECTOR BARREL CALORIMETER LARGE LIGHTGUIDE A9
MATERIAL	THIRD ANGLE PROJECTION	DRAWN C L HUTTON	05NOV10	SIZE D	DWG. NO. D00000-01-07-2020	
FINISH MACHINED SURFACES DEBURR & BREAK ALL SHARP EDGES	125 UNLESS OTHERWISE NOTED		APPROVED	SCALE 2/1	USED ON ASSY NO. D00000-01-07-1015	SHEET 1 OF 1
DO NOT SCALE DRAWING			APPROVED			


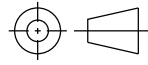
REVISION HISTORY				
ZONE	REV	DESCRIPTION	DATE	APPROVED



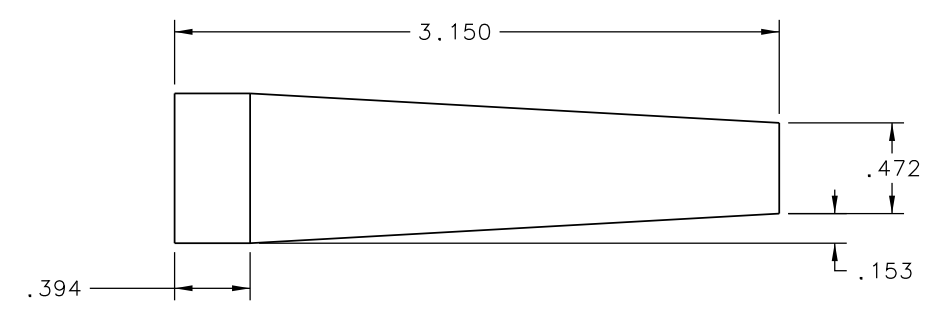
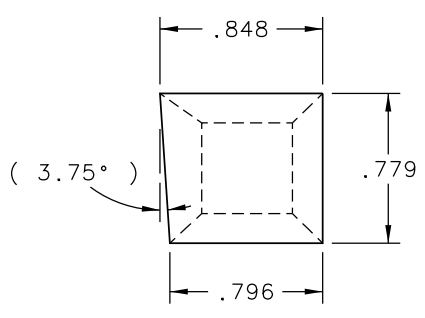
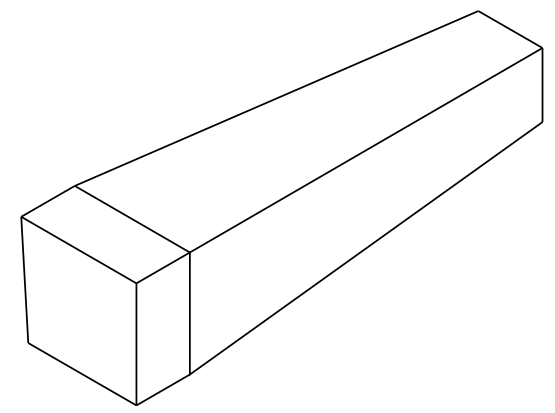
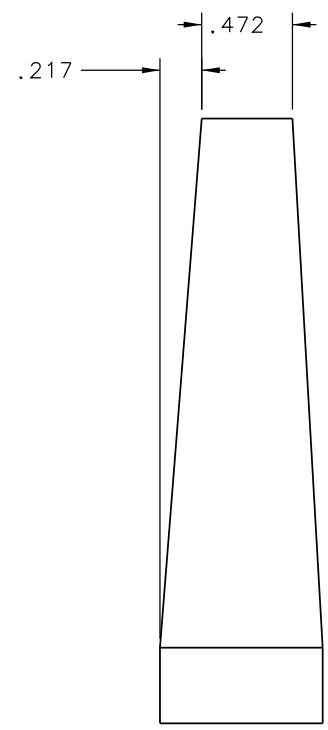
DOCUMENT CONTROL STAMP	DIM & TOL PER ASME Y14.5 UNLESS OTHERWISE SPECIFIED DIMENSIONS ARE IN INCHES TOLERANCES ARE: FRACTIONS DECIMAL ANGLES ± N/A .X ± .1 ± .50° .XX ± .01 .XXX ± .002	TRACKING NO. N/A		United States Department of Energy	 Jefferson Lab <small>Thomas Jefferson National Accelerator Facility</small>	Newport News Virginia
		APPROVALS	DATE			
MATERIAL UVT ACRYLIC	THIRD ANGLE PROJECTION	DRAWN C L HUTTON	03NOV10	HALL D - GLUEX DETECTOR BARREL CALORIMETER SMALL LIGHTGUIDE B1		
FINISH MACHINED SURFACES DEBURR & BREAK ALL SHARP EDGES		CHECKED				
DO NOT SCALE DRAWING		APPROVED		SCALE 2/1	USED ON ASSY NO. D00000-01-07-1015	SHEET 1 OF 1

REVISION HISTORY				
ZONE	REV	DESCRIPTION	DATE	APPROVED



DOCUMENT CONTROL STAMP	DIM & TOL PER ASME Y14.5 UNLESS OTHERWISE SPECIFIED DIMENSIONS ARE IN INCHES TOLERANCES ARE: FRACTIONS DECIMAL ANGLES ± N/A .X ± .1 ± .50° .XX ± .01 .XXX ± .005	TRACKING NO. N/A		United States Department of Energy	 Jefferson Lab <small>Thomas Jefferson National Accelerator Facility</small>	Newport News Virginia
		APPROVALS	DATE			
MATERIAL	THIRD ANGLE PROJECTION	DRAWN C L HUTTON	03NOV10	HALL D - GLUEX DETECTOR BARREL CALORIMETER SMALL LIGHTGUIDE B2		
FINISH MACHINED SURFACES DEBURR & BREAK ALL SHARP EDGES		CHECKED				
DO NOT SCALE DRAWING		APPROVED		SCALE 2/1	USED ON ASSY NO. D00000-01-07-1015	SHEET 1 OF 1

REVISION HISTORY				
ZONE	REV	DESCRIPTION	DATE	APPROVED

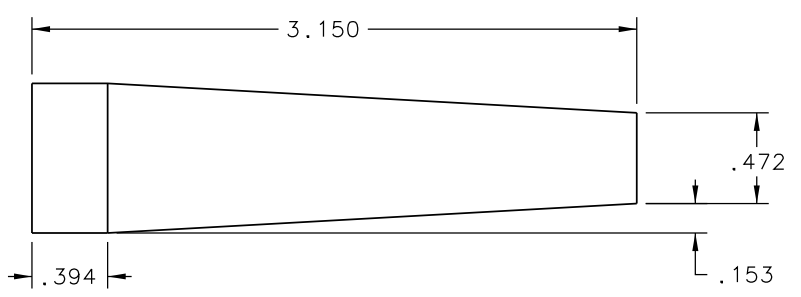
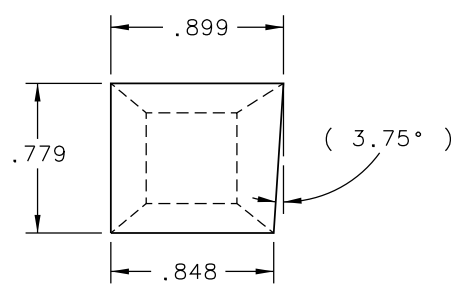
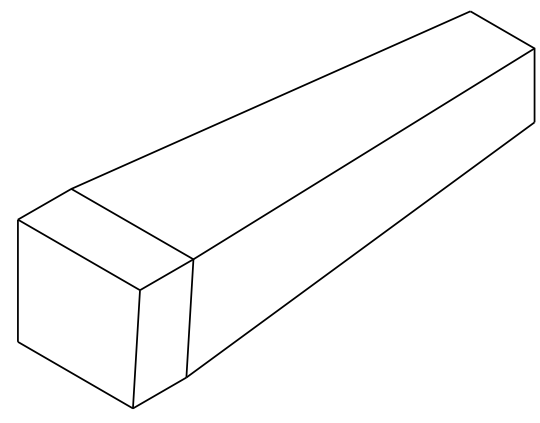
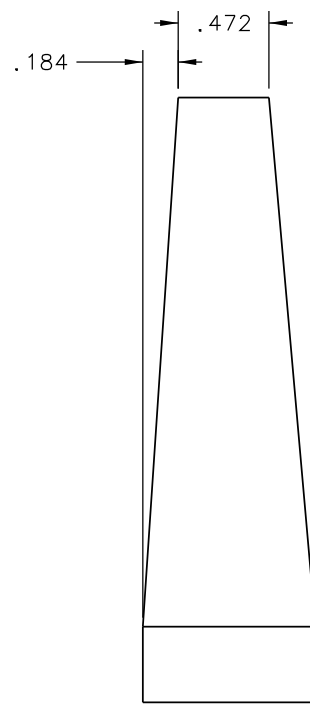


DOCUMENT CONTROL STAMP	DIM & TOL PER ASME Y14.5 UNLESS OTHERWISE SPECIFIED DIMENSIONS ARE IN INCHES TOLERANCES ARE: FRACTIONS DECIMAL ANGLES ± N/A .X ± .1 ± .50° .XX ± .01 .XXX ± .002	TRACKING NO. N/A		United States Department of Energy	 Jefferson Lab Thomas Jefferson National Accelerator Facility Newport News Virginia
		APPROVALS	DATE		
MATERIAL UVT ACRYLIC	THIRD ANGLE PROJECTION	DRAWN C L HUTTON	03NOV10	HALL D -GLUEX DETECTOR BARREL CALORIMETER SMALL LIGHTGUIDE B3	
FINISH MACHINED SURFACES DEBURR & BREAK ALL SHARP EDGES		CHECKED			
DO NOT SCALE DRAWING		APPROVED		SCALE 2/1	USED ON ASSY NO. D00000-01-07-1015 SHEET 1 OF 1

REVISION HISTORY				
ZONE	REV	DESCRIPTION	DATE	APPROVED

D
C
B
A

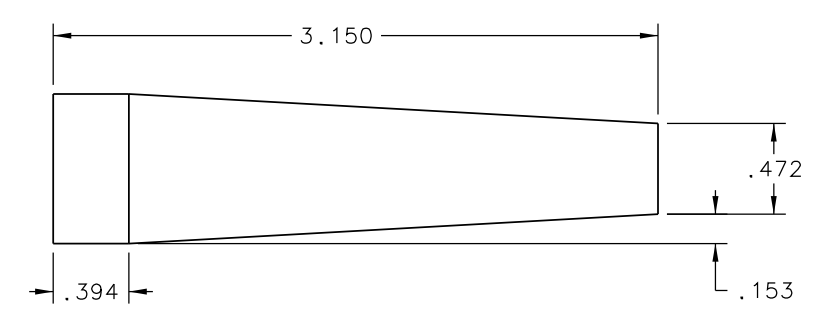
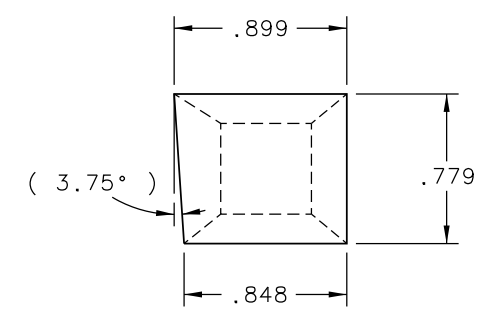
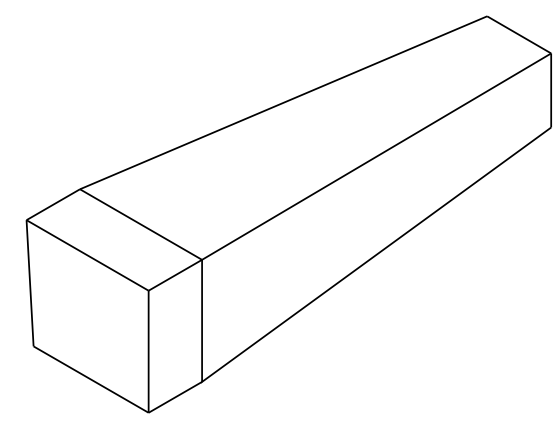
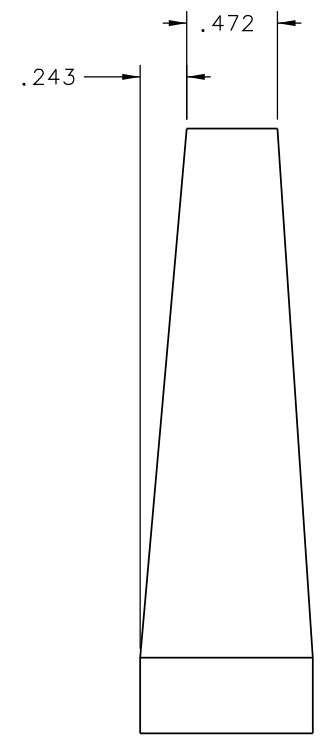
D
C
B
A



DOCUMENT CONTROL STAMP	DIM & TOL PER ASME Y14.5 UNLESS OTHERWISE SPECIFIED DIMENSIONS ARE IN INCHES TOLERANCES ARE: FRACTIONS DECIMAL ANGLES ± N/A .X ± .1 ± .50° .XX ± .01 .XXX ± .002	TRACKING NO. N/A		United States Department of Energy	 Jefferson Lab <small>Thomas Jefferson National Accelerator Facility</small>	Newport News Virginia
		APPROVALS	DATE			
MATERIAL UVT ACRYLIC	THIRD ANGLE PROJECTION	DRAWN C L HUTTON	03NOV10	SIZE D	DWG. NO. D00000-01-07-2024	REV. -
FINISH MACHINED SURFACES DEBURR & BREAK ALL SHARP EDGES	125 UNLESS OTHERWISE NOTED		APPROVED	SCALE 2/1	USED ON ASSY NO. D00000-01-07-1015	SHEET 1 OF 1
DO NOT SCALE DRAWING			APPROVED			

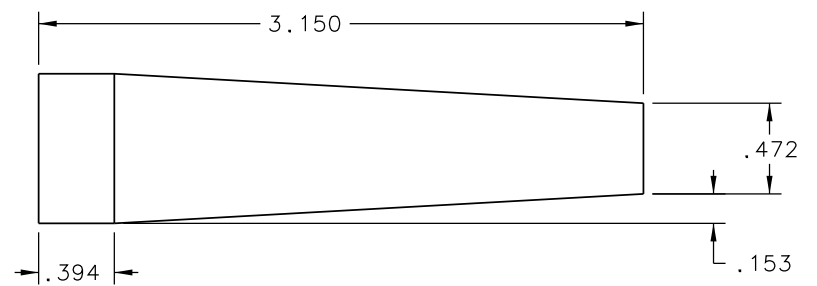
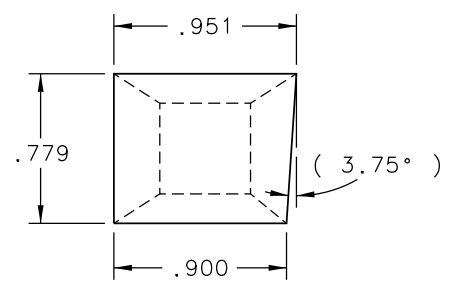
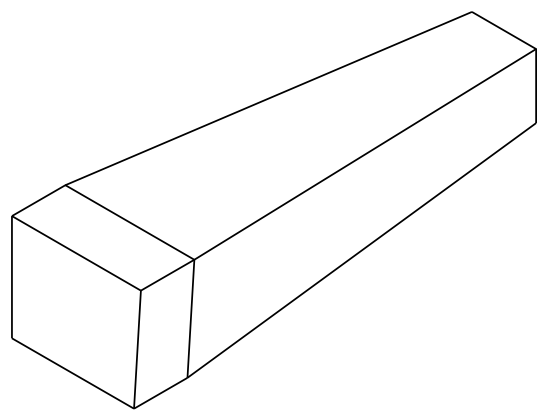
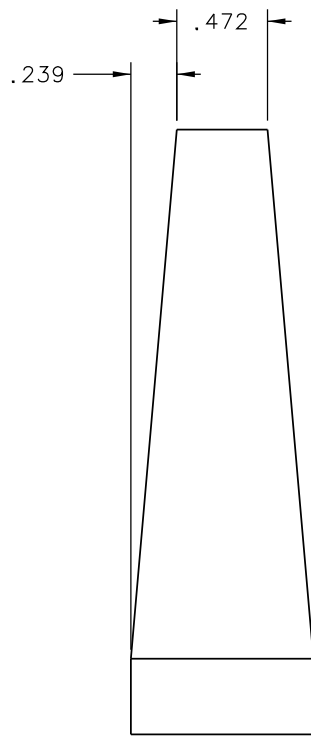
8 7 6 5 4 3 2 1

REVISION HISTORY				
ZONE	REV	DESCRIPTION	DATE	APPROVED



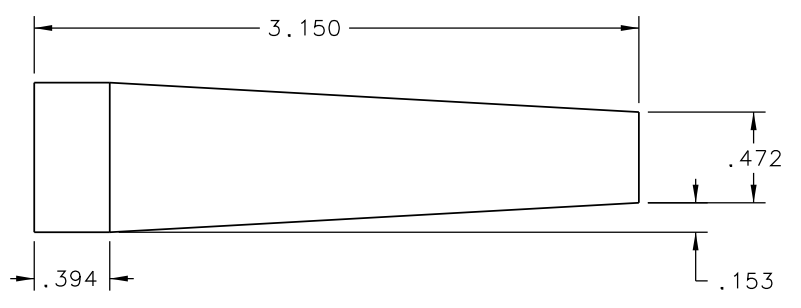
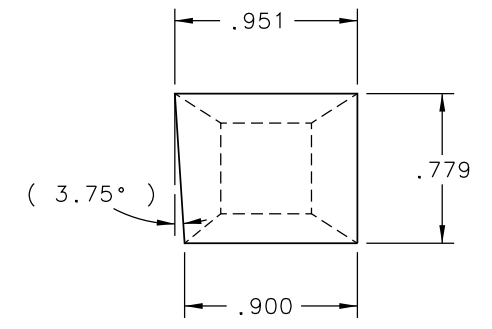
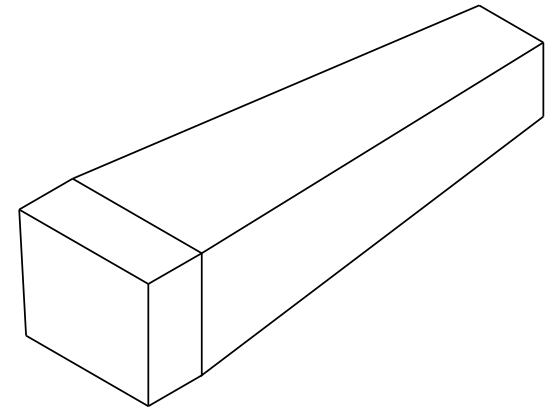
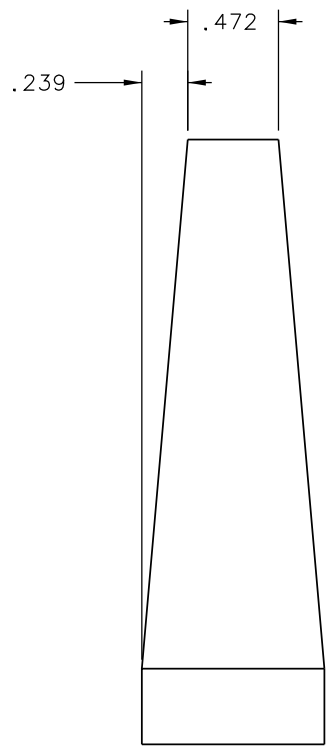
DOCUMENT CONTROL STAMP	DIM & TOL PER ASME Y14.5 UNLESS OTHERWISE SPECIFIED DIMENSIONS ARE IN INCHES TOLERANCES ARE: FRACTIONS DECIMAL ANGLES ± N/A .X ± .1 ± .50° .XX ± .01 .XXX ± .002	TRACKING NO. N/A		United States Department of Energy	 Jefferson Lab Thomas Jefferson National Accelerator Facility Newport News Virginia
		APPROVALS	DATE		
MATERIAL UVT ACRYLIC	THIRD ANGLE PROJECTION	DRAWN C L HUTTON	03NOV10	SIZE D	DWG. NO. D00000-01-07-2025
FINISH MACHINED SURFACES DEBURR & BREAK ALL SHARP EDGES	125 UNLESS OTHERWISE NOTED	APPROVED		SCALE 2/1	USED ON ASSY NO. D00000-01-07-1015
DO NOT SCALE DRAWING		APPROVED		SHEET	1 OF 1

REVISION HISTORY				
ZONE	REV	DESCRIPTION	DATE	APPROVED



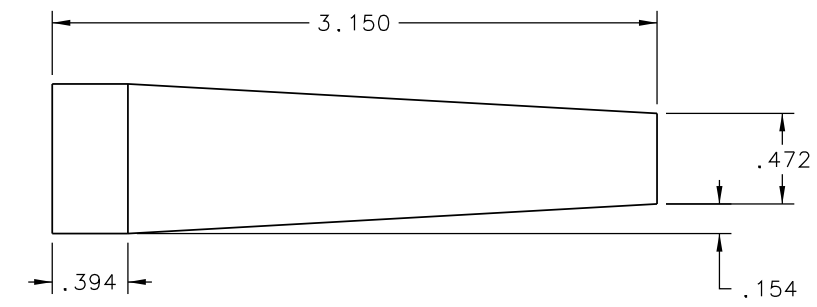
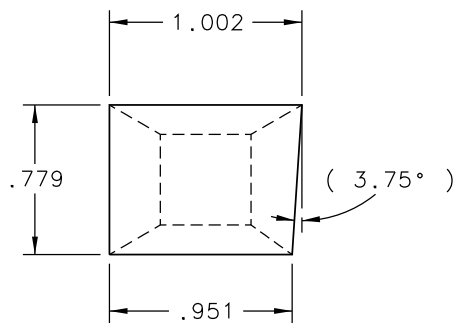
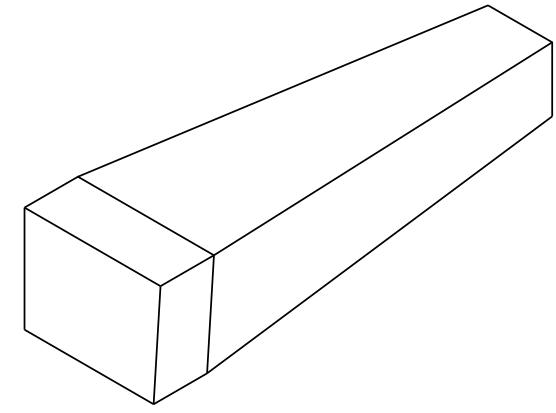
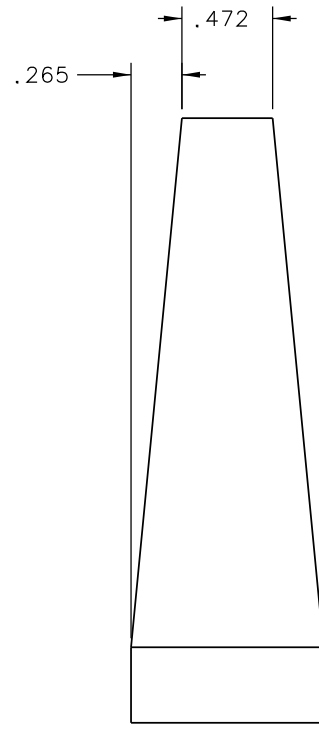
DOCUMENT CONTROL STAMP	DIM & TOL PER ASME Y14.5 UNLESS OTHERWISE SPECIFIED DIMENSIONS ARE IN INCHES TOLERANCES ARE: FRACTIONS DECIMAL ANGLES ± N/A .X ± .1 ± .50° .XX ± .01 .XXX ± .005	TRACKING NO. N/A		United States Department of Energy	 Jefferson National Accelerator Facility Newport News Virginia
		APPROVALS	DATE		
MATERIAL	THIRD ANGLE PROJECTION	DRAWN C L HUTTON	03NOV10	SIZE D	DWG. NO. D00000-01-07-2026
FINISH MACHINED SURFACES DEBURR & BREAK ALL SHARP EDGES	125 UNLESS OTHERWISE NOTED		APPROVED	APPROVED	REV. -
DO NOT SCALE DRAWING			APPROVED	SCALE 2/1	USED ON ASSY NO. D00000-01-07-1015 SHEET 1 OF 1

REVISION HISTORY				
ZONE	REV	DESCRIPTION	DATE	APPROVED



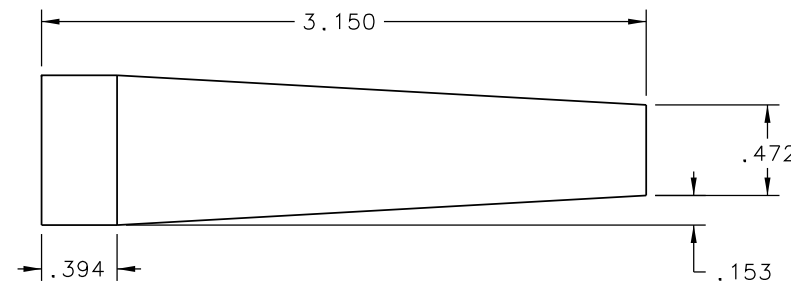
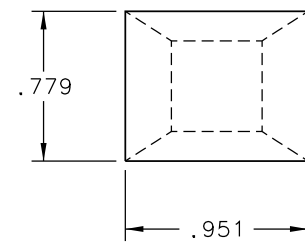
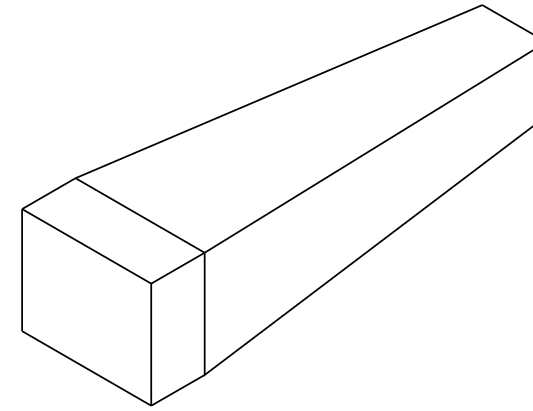
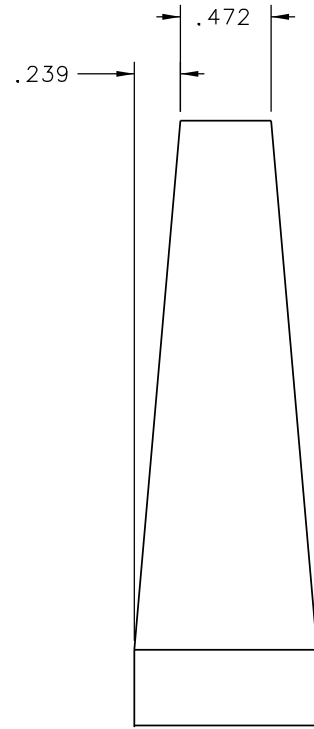
DOCUMENT CONTROL STAMP	DIM & TOL PER ASME Y14.5 UNLESS OTHERWISE SPECIFIED DIMENSIONS ARE IN INCHES TOLERANCES ARE: FRACTIONS DECIMAL ANGLES ± N/A .X ± .1 ± .50° .XX ± .01 .XXX ± .005	TRACKING NO. N/A		United States Department of Energy	 Jefferson Lab Thomas Jefferson National Accelerator Facility Newport News Virginia	
		APPROVALS	DATE			HALL D - GLUEX DETECTOR BARREL CALORIMETER SMALL LIGHTGUIDE B7
MATERIAL	THIRD ANGLE PROJECTION	DRAWN C L HUTTON	03NOV10	SIZE D	DWG. NO. D00000-01-07-2027	
FINISH MACHINED SURFACES DEBURR & BREAK ALL SHARP EDGES	125 UNLESS OTHERWISE NOTED		APPROVED	SCALE 2/1	USED ON ASSY NO. D00000-01-07-1015	SHEET 1 OF 1
DO NOT SCALE DRAWING			APPROVED			

REVISION HISTORY				
ZONE	REV	DESCRIPTION	DATE	APPROVED



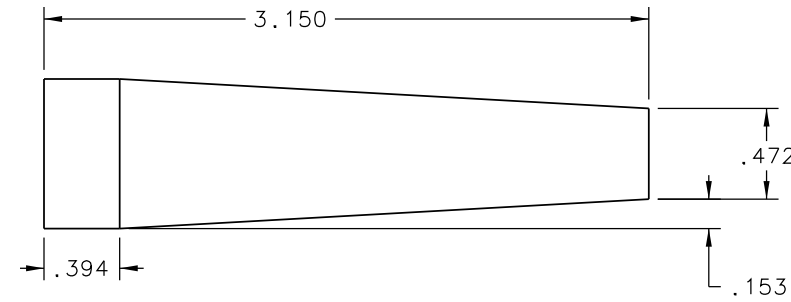
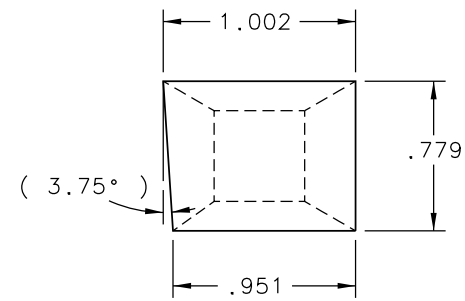
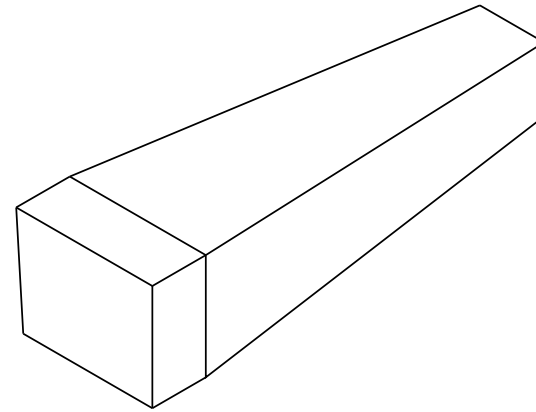
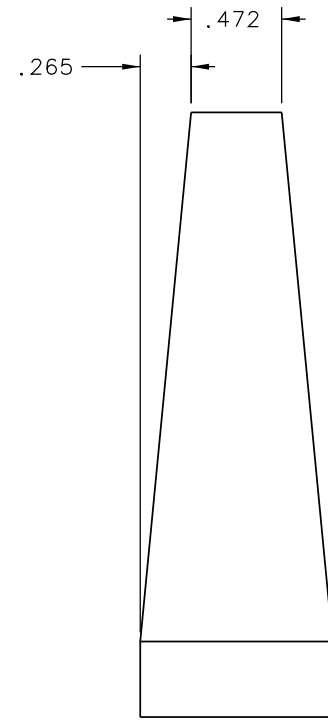
DOCUMENT CONTROL STAMP	DIM & TOL PER ASME Y14.5 UNLESS OTHERWISE SPECIFIED DIMENSIONS ARE IN INCHES TOLERANCES ARE: FRACTIONS DECIMAL ANGLES ± N/A .X ± .1 ± .50° .XX ± .01 .XXX ± .005	TRACKING NO. N/A		United States Department of Energy	 Jefferson Lab Thomas Jefferson National Accelerator Facility Newport News Virginia	
		APPROVALS	DATE			HALL D - GLUEX DETECTOR BARREL CALORIMETER SMALL LIGHTGUIDE B8
MATERIAL	THIRD ANGLE PROJECTION	DRAWN C L HUTTON	03NOV10	SIZE D	DWG. NO. D00000-01-07-2028	
FINISH MACHINED SURFACES DEBURR & BREAK ALL SHARP EDGES	125 UNLESS OTHERWISE NOTED		APPROVED	SCALE 2/1	USED ON ASSY NO. D00000-01-07-1015	SHEET 1 OF 1
DO NOT SCALE DRAWING			APPROVED			


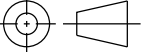
REVISION HISTORY				
ZONE	REV	DESCRIPTION	DATE	APPROVED



DOCUMENT CONTROL STAMP	DIM & TOL PER ASME Y14.5 UNLESS OTHERWISE SPECIFIED DIMENSIONS ARE IN INCHES TOLERANCES ARE: FRACTIONS DECIMAL ANGLES ± N/A .X ± .1 ± .50° .XX ± .01 .XXX ± .005	TRACKING NO. N/A		United States Department of Energy	 Jefferson National Accelerator Facility Newport News Virginia		
		APPROVALS	DATE			HALL D - GLUEX DETECTOR BARREL CALORIMETER SMALL LIGHTGUIDE B9	
MATERIAL	THIRD ANGLE PROJECTION	DRAWN C L HUTTON	03NOV10	SIZE D	DWG. NO. D00000-01-07-2029		REV. -
FINISH MACHINED SURFACES DEBURR & BREAK ALL SHARP EDGES	125 UNLESS OTHERWISE NOTED		APPROVED	APPROVED	SCALE 2/1	USED ON ASSY NO. D00000-01-07-1015	SHEET 1 OF 1
DO NOT SCALE DRAWING							

REVISION HISTORY				
ZONE	REV	DESCRIPTION	DATE	APPROVED

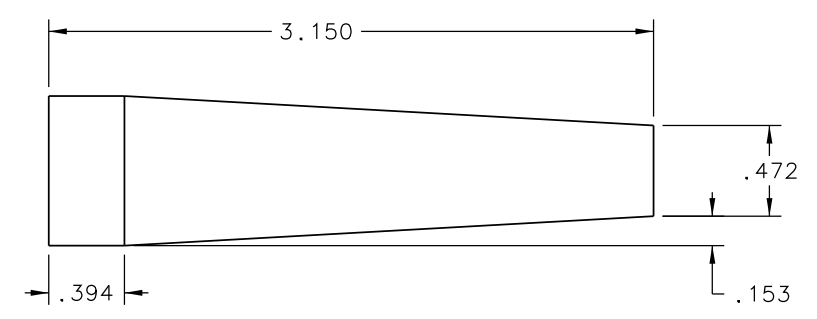
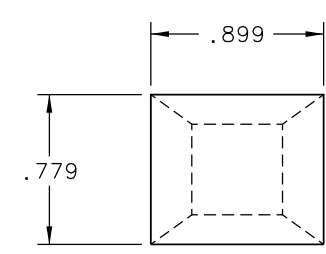
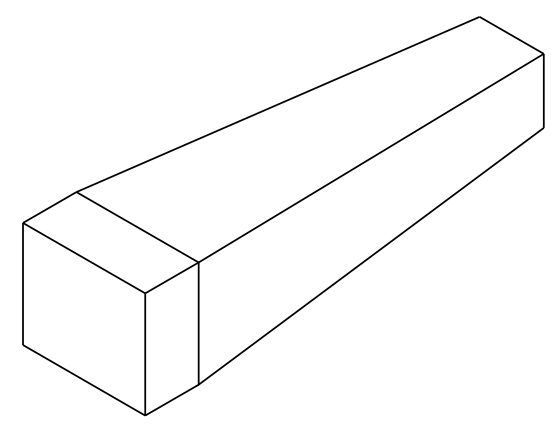
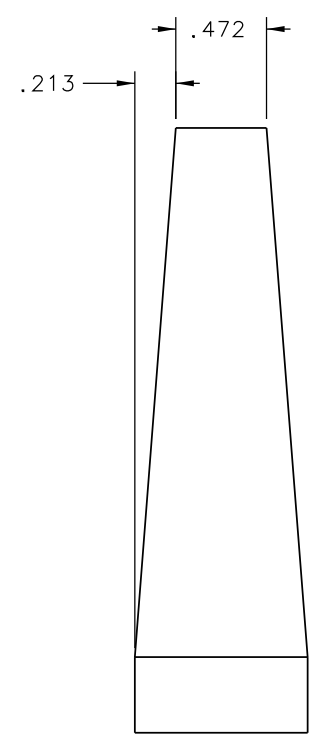


DOCUMENT CONTROL STAMP	DIM & TOL PER ASME Y14.5 UNLESS OTHERWISE SPECIFIED DIMENSIONS ARE IN INCHES TOLERANCES ARE: FRACTIONS DECIMAL ANGLES ± N/A .X ± .1 ± .50° .XX ± .01 .XXX ± .005	TRACKING NO. N/A		United States Department of Energy	 Jefferson Lab <small>Thomas Jefferson National Accelerator Facility</small>	Newport News Virginia
		APPROVALS	DATE			
MATERIAL	THIRD ANGLE PROJECTION	DRAWN C L HUTTON	04NOV10	HALL D - GLUEX DETECTOR BARREL CALORIMETER *SMALL LIGHTGUIDE B10		
FINISH MACHINED SURFACES DEBURR & BREAK ALL SHARP EDGES		CHECKED				
DO NOT SCALE DRAWING		APPROVED		SCALE 2/1	USED ON ASSY NO. D00000-01-07-1015	SHEET 1 OF 1

REVISION HISTORY				
ZONE	REV	DESCRIPTION	DATE	APPROVED

D
C
B
A

D
C
B
A



DOCUMENT CONTROL STAMP	DIM & TOL PER ASME Y14.5 UNLESS OTHERWISE SPECIFIED DIMENSIONS ARE IN INCHES TOLERANCES ARE: FRACTIONS DECIMAL ANGLES ± N/A .X ± .1 ± .50° .XX ± .01 .XXX ± .005	TRACKING NO. N/A		United States Department of Energy	 Jefferson National Accelerator Facility Newport News Virginia
		APPROVALS	DATE		
MATERIAL	THIRD ANGLE PROJECTION	DRAWN C L HUTTON	03NOV10	SIZE D	DWG. NO. D00000-01-07-2031
FINISH MACHINED SURFACES DEBURR & BREAK ALL SHARP EDGES	125 UNLESS OTHERWISE NOTED		CHECKED	APPROVED	REV. -
DO NOT SCALE DRAWING			APPROVED	SCALE 2/1	USED ON ASSY NO. D00000-01-07-1015 SHEET 1 OF 1

8 7 6 5 4 3 2 1