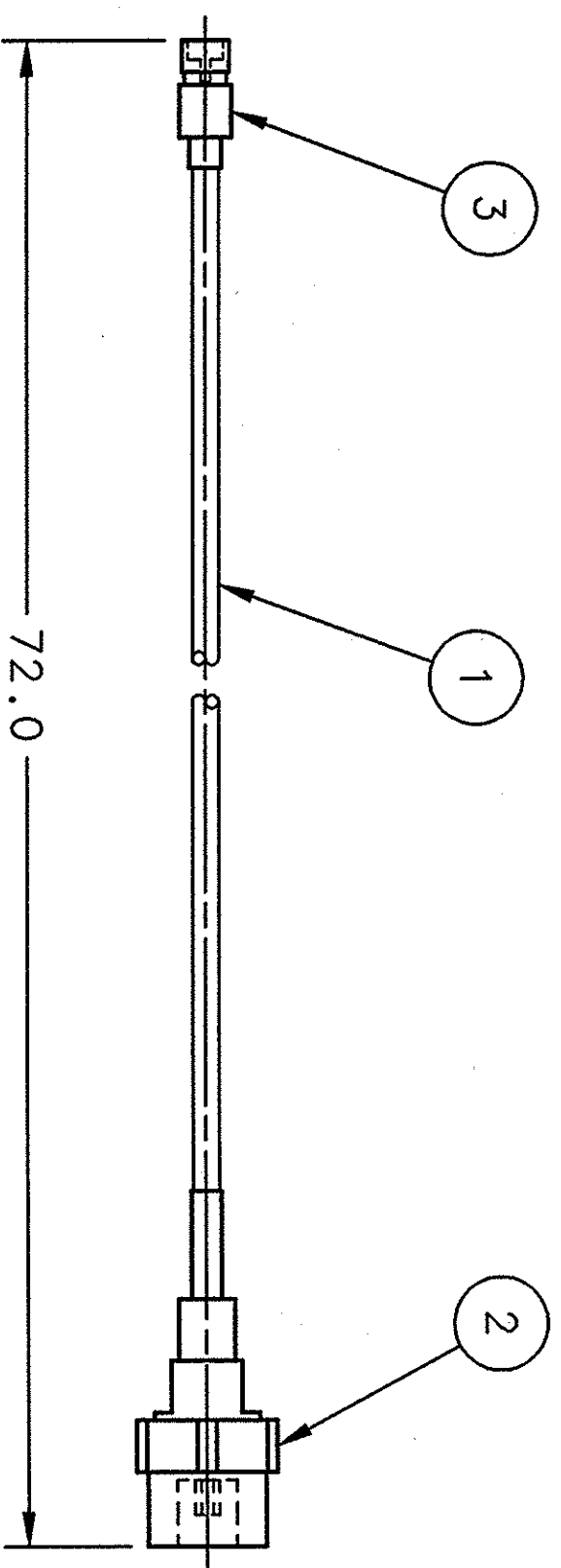


REVISION HISTORY				
ZONE	REV	DESCRIPTION	DATE	APPROVED



NOTES:
 1. FABRICATE PER SOW #CRM-900-0000-1028.

QTY	ITEM NO.	PART OR IDENTIFYING NO.	NOMENCLATURE OR DESCRIPTION	MATERIAL SPECIFICATION	NOTES
1	3		SMA CONNECTOR (JACK)		
1	2		N-TYPE CONNECTOR (JACK)		
A/R	1		CABLE	TBD	1

PARTS LIST

DOCUMENT CONTROL STAMP 		TRACKING NO. SNS DRAWING NUMBER 104100101-480C-8200-4142-800		Thomas Jefferson National Accelerator Facility UNITED STATES DEPARTMENT OF ENERGY	
MATERIAL SEE PARTS LIST		APPROVALS DRAWN: R. GEIZ CHECKED: [Signature] APPROVED: [Signature]		DATE: 21MAR02 DATE: 1307A02 DATE: 6/13/02	
FINISH MACHINED SURFACES DEBURR & BREAK ALL SHARP EDGES		THIRD ANGLE PROJECTION 		FIELD PROBE FLEX CABLE ASSEMBLY SPALLATION NEUTRON SOURCE 0.61 BETA CRYMODULE CAVITY STRING	
DO NOT SCALE DRAWING		SCALE 1:1		SHEET 1 OF 1	

4

3

2

1